

TECHNICAL REVIEW

MIDDLE EAST

In conjunction with:

Oil Review Oil · Gas · Petrochemicals
Middle East

Transforming the oil and gas industry

- Oil, Gas & Petrochemicals • Construction
- Power • Industry • Infrastructure
- Technology • Health & Safety

Highlights:

- Energy recruitment trends
- Developments in the heating, ventilation, air conditioning and refrigeration (HVACR) market

THINK SULPHUR THINK SANDVIK

We design, manufacture and commission equipment for every aspect of sulphur processing, from upstream handling and a range of granulation options to downstream conveying, storage and bulk loading.

- Engineering & consulting
- Efficient sulphur degassing
- Premium Rotoform® pastillation
- High capacity granulation
- High performance remelting
- Handling, storage and loading
- Global service and spare parts



A WORLD LEADER IN SULPHUR PROCESSING AND HANDLING

Editor: Louise Waters - ✉ louise.waters@alaincharles.com

Editorial and Design team: Prashant AP, Hiriyyi Bairu, Miriam Brtkova, Kestell Duxbury, Ranganath GS, Rhonita Patnaik, Samantha Payne, Rahul Puthenveedu, Nicky Valsamakis and Vani Venugopal

Group Editor: Georgia Lewis

Publisher: Nick Fordham

Sales Director: Michael Ferridge

Group Magazine Manager: Graham Brown
☎ +971 4 448 9260
✉ graham.brown@alaincharles.com

Magazine Sales Manager: Tanmay Mishra
☎ +91 80 65684483
✉ tanmay.mishra@alaincharles.com

International Representatives

India **Tanmay Mishra**
☎ +91 80 65684483
✉ tanmay.mishra@alaincharles.com

Nigeria **Bola Olowo**
☎ +234 8034349299
✉ bola.olowo@alaincharles.com

USA **Michael Tomashefsky**
☎ +1 203 226 2882 ☎ +1 203 226 7447
✉ michael.tomashefsky@alaincharles.com

Head Office:

Alain Charles Publishing Ltd
University House, 11-13 Lower Grosvenor Place, London
SW1W 0EX, United Kingdom
☎ +44 (0) 20 7834 7676 ☎ +44 (0) 20 7973 0076

Middle East Regional Office:

Alain Charles Middle East FZ-LLC
Office L2- 112, Loft Office 2, Entrance B
P.O. Box 502207, Dubai Media City, UAE
☎ +971 4 448 9260 ☎ +971 4 448 9261

Production: Kavya J, Nelly Mendes, and Sophia Pinto
✉ production@alaincharles.com

Subscriptions: ✉ circulation@alaincharles.com

Chairman: Derek Fordham

Printed by: Central KHCAI Trading Co, Mashhad Iran

Printed in: April 2017

© Alain Charles Publishing

→ Editor's note

THE UPCOMING IRAN Oil, Gas, Refining & Petrochemicals exhibition set to take place in Tehran from 6-9 May, will provide a good opportunity for Iranian and international companies to explore avenues for mutual cooperation, as well as to obtain updates on industry developments and government priorities in Iran's promising oil and gas industry. Iran continues to raise output in line with its 3.8mn bpd ceiling under the November OPEC agreement, and Minister of Petroleum Bijan Namdar Zangeneh is reported to have said that the new Iranian calendar year will be an "exceptional" one for Iran's petroleum and petrochemical industries with several major projects scheduled to come on-stream, such as new phases of the supergiant South Pars gas field and several petrochemical projects.

Louise Waters, Editor - louise.waters@alaincharles.com



Iran and Iraq to lead Middle East oil production growth

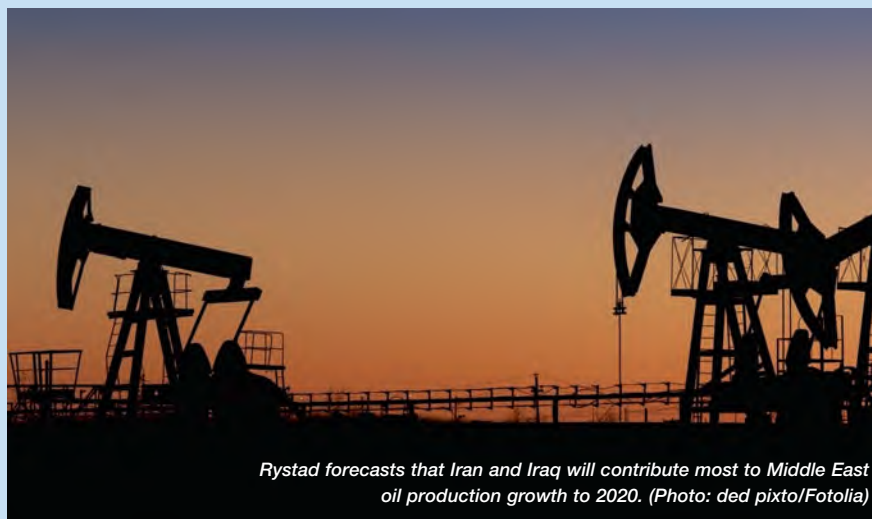
IRAN AND IRAQ will contribute most to Middle East oil production growth from 2016 to 2020, according to recent analysis from Rystad Energy.

According to the energy consultancy, production is expected to remain flat this year, reflecting the OPEC deal to cut production, but is forecast to ramp up from the second half of 2017 and going forward, to reach over 30mn bpd from around 2020. While Saudi Arabia accounts for around 40 per cent of the region's oil production, Iraq and Iran are the countries where oil production is expected to see the highest growth over the next decade. Iraq's production growth is underpinned by the launch of the second development phase of the Lukoil-operated Qurna West-2 field, as well as increasing volumes from the Nahr bin Umar field, the second phase of the Majnoon and the third phase of the Halfayah developments. The first phase of the South Azadegan project is expected to contribute to Iran's oil production growth over the next five years, reaching a plateau of 255,000 bpd from 2021.

Rystad notes that in general, Iran notably dominates the exploration success achieved over the last decade, as around 45 per cent of total discovered resources are of Iranian origin. However, in the last five years the largest volumes were discovered in Iraq, led by projects like Amara South, Mirawa, and Faihaa.

Overall, nearly 65 per cent of total discovered oil resources since 2000 in the Middle East have not been put into development yet. Given the majority of these discoveries have a breakeven price below US\$40/bbl, these fields are likely to be put onstream even if low oil prices prevail for a longer time, Rystad suggests.

The energy consultancy predicts that total oilfield expenditure in the region will grow by six per cent per annum for the period 2016-2020 to reach nearly US\$135bn by 2020. Saudi Arabia, the UAE and Iran were the top three countries by investments in 2016, and together contributed to nearly 70 per cent of total spending. Iraq and Iran are also among the countries that are leading in terms of the capital investment increase in the years to come. A large part of the growth in these countries comes from already producing projects, as well as projects currently in the discovery life cycle. In Iran, the trend is in line with rapidly increasing production at old fields after the sanctions have been lifted. Projects like Marun and Ahwas Asmari will see investment growth in the next couple of years, followed by key discoveries (e.g. Azadegan South and North Phase 2, Nowruz, Susangerd etc.) that will dominate spending by 2020. Notable investment growth is anticipated on new fields in Iraq, on Majnoon redevelopment and Halfayah Phase 3 in particular.



Rystad forecasts that Iran and Iraq will contribute most to Middle East oil production growth to 2020. (Photo: ded pixto/Fotolia)

Introducing innovative protective coatings to Iran

AKZONOBEL, A LEADING global paints and coatings company, is underlining its commitment to invest in the country and expand its presence by participating in the Iran Oil Show 2017.

AkzoNobel will be presenting a selection of its innovative protective coatings products at the show, which takes place from 6-9 May in Tehran (www.iran-oilshow.ir/English). These include its International® brand of innovative products from Chartek®, Interchar®, Ceilcote® and Enviroline® product ranges, used in industries including oil and gas, mining and power – all high-growth sectors in Iran.

AkzoNobel are already supplying products for various commercial projects in Iran. Andrea Meconcelli, director Performance Coatings, AkzoNobel Middle East, said, “We see strong opportunity to expand our presence in Iran, especially with the country’s investments in infrastructure development. Several projects are taking shape across the country, and our products are ideally suited for these, especially in fire-proofing.

“We also see a strong opportunity to support the Iranian fire brigade, who are taking strong measures to improve the quality of fire-proofing. For over 45 years, our Interchar and Chartek products have provided anti-corrosive and aesthetic fire protection for steel structures in sectors including infrastructure, power, oil and gas, chemical, mining and bridges. All over the world we are working with our customers from the design phase to application and through to construction, ensuring specification and code compliance.”

He added, “The entry of multinational companies in Iran has also led to an increase in demand for high quality products, which will also have a positive impact on our business. We are committed to investing in the country and to being closer to our customers, providing them with protective coatings products that meet their requirements.”

AkzoNobel’s Chartek 7 passive fire protection solution for use on all areas of an asset holds the distinction of being the most specified epoxy passive fire protection (PFP) product for over 50 years and serves as an ideal choice for the Iranian offshore oil and gas industry.

AkzoNobel is also bringing its latest innovation – Chartek 2218 – an all-new epoxy passive fire protection product aimed at onshore oil, gas and chemical projects. It helps achieve significant cost savings through its simplified installation and unique rapid cure properties. Even at low temperatures, faster application and improved production rates can be achieved, which contribute to reduced overall costs compared to other epoxy passive fire protection alternatives. Meconcelli added, “At a time where cost savings are paramount in the oil and gas industry, Chartek 2218 addresses many areas where our customers look for savings.”

AkzoNobel will be exhibiting in Hall 40, stand 1463 at the Iran Oil Show

Middle East and Africa (MEA) IoT market set to grow

THE MIDDLE EAST and Africa (MEA) Internet of Things (IoT) market is forecast to grow 19.6 per cent year-on-year in 2017 to total US\$7.8bn, with manufacturing and transportation leading the way with related spending of US\$1.3bn each, according to a recent report.

The *Worldwide Semiannual Internet of Things Spending Guide* from International Data Corporation (IDC) revealed that this compares favourably to the healthy 18.1 per cent growth seen in 2016, with IDC attributing the market’s performance to the proliferation of digital transformation initiatives across the region as businesses and government entities strive to boost productivity and improve efficiency.

“The MEA IoT market is becoming increasingly competitive, enabling organisations to source a range of innovative digital solutions aimed at transforming business operations, improving the customer experience, and enhancing employee engagement,” said Wale Babalola, research analyst for telecommunications, IoT, and digital media at IDC MEA.

“IDC expects the manufacturing, transportation, and utilities industries to see the highest levels of IoT-related spending in 2017 as organisations across these verticals look to digitalise their operations and improve their value proposition across different lines of business. The commitment of service providers, application developers, and OEMs to developing purpose-built end-to-end IoT solutions is serving as a major driver of the growing adoption we are seeing across the region.”



The manufacturing, transport and utilities industries are expected to see the highest levels of IoT-related spending in 2017. (Photo: Panchenko Vladimir/Shutterstock)

Energy recruitment trends

THE FIRST GLOBAL Energy Talent Index (GETI), which surveyed more than 16,000 energy professionals globally across the oil and gas, renewables, power, nuclear and petrochemicals sectors, reveals a significant difference in expectations between hiring managers and candidates.

The report by Airswift and Energy Jobline indicates that energy candidates are more optimistic than hiring managers, with 48 per cent of Middle East professionals predicting an increase in salaries over the next 18 months – compared to just 25 per cent of those hiring.

Janette Marx, chief operating officer at Airswift, says, “It’s absolutely essential that hiring managers and employees are on the same page if the energy industry is to continue attracting and retaining the talent it needs for a successful future. But at the moment there’s a bit of a mismatch – and not just about the prospect of a pay rise. For instance, a quarter of hiring managers across the sector think that the corporate brand is the most important factor in attracting jobseekers, when in fact the workforce values salary, location and professional development most highly.”

Key findings within oil and gas include:

- Three-quarters of hiring managers think the oil and gas sector faces a talent shortage, with respondents in the Middle East citing key reasons for skills shortages as loss of manpower due to an ageing workforce and tighter immigration policies
- Graduates are shying away from the oil and gas industry due to perceptions about an ageing workforce and environmental concerns when compared to newer technologically-driven green sectors
- Almost half of oil and gas professionals expect the sector to recover in the next 12 months, but nearly two-thirds of hiring managers expect it to take more than a year
- Oil and gas professionals cite North America, the Middle East and Europe as their preferred regions to work
- The most valued benefit for Middle East professionals is a health plan.

Hannah Peet, managing director at Energy Jobline, says, “The oil and gas sector has endured one of its most prolonged and devastating downturns to date. But the industry is incredibly resilient and the sharing of new ideas is helping to get it back on its feet.

“When the dust settles hiring managers will need to be smart in thinking about how they attract new talent. Gone are the days of expensive bidding wars, offering candidates ever-increasing salaries.”

The report is available to download at <http://www.getireport.com/download-report>.

The energy sector is an example of an industry that has to collect and analyse an enormous amount of data. (Photo: huyangshu/Shutterstock)

Transforming the digital oilfield

Companies need to adopt an integrated approach to digitisation to gain long-term value from data, says Mohammed Riaz, managing partner, IBM Global Business Services, Gulf, Levant & Pakistan.

IT IS NOT difficult to understand why data analysis has become central to drive revenue growth and efficiency, an approach used across industries to develop insights that shape business decisions. The energy sector is a perfect example of an industry that has to collect and analyse an enormous amount of data, from operational data to maintenance data. Yet most companies are still trying to define a clear approach on how to generate their digital footprint and how to derive value from all this data, with varying degrees of success.

The challenge becomes more complex as data volumes and streams increase and multiply. As countless components, devices and instruments become coupled with sensors that send real-time data thanks to IoT (Internet of Things) technology, the pressure builds on CIOs and CTOs to design and deploy an ICT infrastructure that can make use of all this data to deliver better operational and business value.

In an example of its simplest application on a typical engineering project, analytics and data management solutions offered by IBM have the potential to halve the costs associated with document handling. Within the oil and gas sector, companies spend a significant percentage of a project's total cost on reporting. When looking at an average billion-dollar capital project, the cost of managing documents and data could reach tens of millions of dollars. Through this solution, a company could shave these costs in half, further stressing the importance of the right approach.

At a more advanced level, data enables an energy company who has embraced a digital transformation to analyse and gain insights across its assets which can lead to the extended life of important components and expensive instruments. This in turn increases investment returns from the assets, delivering operational excellence and a positive financial impact. The ROI is further amplified when the transformation is approached across verticals.

Let's look at a single component as an example – a field pump, where the data that pump produces feeds information that is crucial to its ongoing maintenance, and where the pump's failure can affect the entire system that the pump is connected to. In such a critical workflow, you must have

an integrated view of the entire system; the pump that may need replacing soon, the location and availability of the replacement part, right through to the availability of the engineer with the right skill sets to change that pump.

The underlying problem is that many companies look for solutions that meet some of the analytics requirements, collecting data from disparate systems that then need consolidation tools to present data in a single unified view. The drawback of this is complexity and cost, not to mention that adding another application layer comes at the expense of infrastructure agility and performance efficiency.

“Most companies are still to define a clear approach on how to generate their digital footprint.”

For companies to gain real long-term value from data, they need to take an integrated approach with a view on how all the components – the processes, people and technology – come together. This is the most effective way to ensure that digitisation of each component or process is harmonious with the needs of both the IT and the business. The digital transformation begins to take form as the company starts with small digitisation steps, one component and one sensor at a time coupled with cognitive analytics tools, and where it starts to see immediate returns in operational performance and on its asset investments.

With the era of digital oilfields upon us, energy companies are taking small yet crucial steps to enable equipment to contribute to the overall performance of the business, one sensor at a time. The trend we are seeing is an evolution where vertical integration is combining with cognitive analytics to reach a higher maturity of digital capability, offering new levels of visibility and even predicting future events before they happen. ■

Driving change in a competitive market

The off-road trucks sector serving the GCC's booming construction market continues to expand. Martin Clark reports on some current trends.

WITH ITS EXTREME weather conditions, the GCC presents some of the most challenging terrain for commercial trucks, both on and off road, driving the need for improved vehicle performance and ongoing innovation.

"Global demand for innovative solutions in the transportation and energy sectors will continue to rise," Germany's MAN, leading commercial vehicle manufacturer, noted in March this year when presenting its annual results. In 2016, MAN noticeably improved its operating profit by over US\$100mn to US\$204mn, and it expects more of the same this year.

In Qatar, Domasco, part of Al Futtaim and the authorised local distributor for Volvo Trucks, also reported strong sales growth for 2016 – around a 35 per cent increase over 2015 – despite what it called "harsh market conditions".

Business is good

The extent of the GCC region's long-term development ambitions, and the visible level of construction taking place across all key markets, is boosting demand.

At the end of March 2017, Mercedes-Benz Trucks announced a major contract in Saudi Arabia for the supply of 540 new vehicles. The company will supply its Actros, Atego und Accelo models to Al Khaldi Transport Group, based in Dammam.

The medium and heavy duty trucks will operate across the energy and infrastructure sectors, and come with a full service and maintenance contract.

The kingdom has long been a core market in the Middle East and North Africa (MENA) region for Mercedes-Benz trucks. More than 43,500 Mercedes-Benz trucks have been delivered by its local retail partner Juffali Industrial Products Company since 2002, underlining its strong position in the heavy duty transportation market.

Service and support

Small breakthroughs, such as improvements to service, can also make a huge difference when



Mercedes-Benz trucks MENA launched a special edition truck to celebrate the 20th anniversary of its flagship model, Actros. (Photo: Mercedes-Benz)

competing for big projects. The Mercedes-Benz contract with Al Khaldi Transport, for example, includes a full service and maintenance contract that covers comprehensive training for drivers and mechanical engineers and a 24/7 roadside assistance guarantee.

According to Stefan Buchner, head of Mercedes-Benz Trucks, the group's new regional Dubai office also played a role in securing the business. "This fleet deal is also the result of our new regional centre for the MENA region in Dubai, which makes us even more effective in the region – not only in sales, but also in customer services."

New product lines

New product innovation remains critical for truck makers too, keen to differentiate themselves in a competitive market and, at the same time, refresh the product line.

Mercedes-Benz Trucks launched a special edition truck at the start of 2017 to celebrate

the 20th anniversary of its flagship model, Actros. And competition for business gets ever tougher, as new entrants stake their claim on the Gulf's busy trucks and construction market.

Tata Motors, India's largest automobile manufacturer, launched its new-look Tata Prima heavy duty trucks in Saudi Arabia in February this year. Developed with Tata Motors subsidiary, Tata Daewoo Commercial Vehicles, it says the trucks set new benchmarks in styling and features, with a combination of power, world-class performance, fuel efficiency, superior technology and safety, uncompromisingly built for long-distance and long hours of transportation.

With a range extending up to 49 tonnes and engine options up to 400 bhp, the Tata Prima is a workhorse for moving goods and materials across all distances and terrains, according to Rudrarup Maitra, Tata Motors' head of international business, commercial vehicles.

The two new heavy-duty trucks – the Prima

“New product innovation remains critical for truck makers.”

4438.S (4X2) tractor head and the Prima 4038.K (6X4) construction tipper – were launched with Saudi dealer-partner, Manahil International Company, a unit of Mohamed Yousuf Naghi & Brothers.

“An integral part of introducing the Tata Prima range is Manahil International Company,” said Maitra. “They are as customer-centric as we are. Through this partnership, we look forward towards further strengthening our relationship with customers in Saudi Arabia.”

Costs and economics

Delivering cost savings is another key market driver that will always catch the attention of major fleet buyers. Japanese manufacturer UD Trucks recently flagged eight key features of its new Quester range and the aftermarket service that are helping Middle East businesses to run with greater efficiency. Quester comes with a

real-time fuel coach system, which helps the driver drive as economically as possible.

The system has seen significant increase in fuel efficiency across applications with savings ranging from 10-30 per cent.

Equally important as these physical features is customer support, in this case through UD Genuine Service and UD Genuine Parts. “The key to lowering the cost of ownership for our clients lies not only in the reliable and durable design but also in smart maintenance,” said Mourad Hedna, president of UD Trucks Middle East. “Long-term cost saving is dependent on having proper service right from the start. By engaging UD Genuine Service, Quester’s customers can increase vehicle uptime, and protect investment.”

Autonomous trucks

Perhaps one of the most intriguing topics up for discussion right now is the prospect of self-driving vehicles. New technologies and connectivity systems could change the entire logistics and transport industry, advocates believe.

Volvo Trucks, for example, is stepping up its research on autonomous vehicles with trials in the field. Over the next year and a half, self-

driving Volvo FMX trucks are being tested in regular operations on a working mine in Sweden. The aim is to examine how this technology can contribute to safe and productive transportation in tough, geographically limited areas. This has potentially immense implications for the GCC region, where most freight moves by truck, and where more than one million trucks are in operation, a number that increases by more than five per cent a year.

In a recent report, consultancy Strategy& said that GCC countries stand to benefit from autonomous trucks more than any other region in the world. “The technology can reduce fuel costs, dramatically reduce the number and cost of accidents, reduce expatriate labour and create high value added technology jobs and firms,” said Dr Ulrich Kögler, a partner with Strategy&. “By thinking proactively about these issues, GCC countries have a real opportunity to become a global leader in an evolving technology.” The consultancy adds that autonomous trucks are likely to go into mass production within 10 to 15 years.

For sure, this game-changing shift on its own will force ongoing innovation in the GCC trucks market. ■



FRIGMAIRES

COMPLETE PLANTS & TECHNOLOGY FOR PRODUCTION OF

LUBRICANTS

- Automotive
- Industrial
- Synthetic
- Transformer Oil
- Brake Fluids
- Anti Freeze

GREASES

- Lithium
- Calcium
- Chasis
- Complex
- Non Soap
- Speciality Grease
- Food Grade



adnoc



BALMER LAWRIE



• AFRICA • RUSSIA • EUROPE • MIDDLE EAST • FAR EAST • INDIA • SOUTH AMERICA

☎: +91-22-24944108, 24945624 ✉: hsa@frigmaires.com / jsa@frigmaires.com 🌐: www.felubeoil.com

Energy efficiency takes centre stage in HVACR market

HVACR companies are focusing on technology and innovation in order to offer more energy-efficient solutions for the high growth GCC market. Martin Clark reports.

THE STRONG CONSTRUCTION drive throughout the GCC continues to underpin demand in the heating, ventilation, air conditioning and refrigeration (HVACR) market.

While lower oil prices have taken some of the gloss off the regional economy, construction activity continues apace, driving demand for air conditioning and related services. It is a generally positive story across the board, although new rules and regulations are shifting the business landscape.

In Kuwait, the air conditioner market is projected to grow at an annual rate of 4.45 per cent through to 2022, according to Research & Markets *Kuwait Air Conditioner Market (2016-2022)* report. The growth rate has declined due to falling oil prices, but this could turn around post-2017, fuelling further public and private infrastructure investment, driving the local market for air conditioners.

It is a similar story across the rest of the region in territories such as the UAE and Qatar, where again huge spending is supporting demand for HVACR products. And this, in turn, has supported new investment into production and facilities.

Leminar Air Conditioning Industries recently inaugurated its state-of-the-art FFC-UK manufacturing line for fire-rated ducts in Doha, Qatar.

“Manufacturers are responding to new rules and government initiatives.”

Dipak Bhadra, general manager, said the new line will allow Leminar to cater to HVAC contractors' growing requirements for fire-rated duct systems, an area that is rapidly expanding, “with fire safety protocols and regulations becoming stringent.”



The strong construction drive throughout the GCC is underpinning demand in the heating, ventilation, air conditioning and refrigeration (HVACR) market. (Photo: ZakS Photography/Shutterstock)

As well as tighter regulation, what is also clear is that energy efficiency and demand management moves have resulted in an industry-wide push for innovation into cleaner, more energy-efficient solutions.

This has been a focus for brands like Daikin, the Japanese air conditioning giant, which has been granted the Emirates Quality Mark (EQM) for its air-cooled chiller systems. The badge of quality is a big boost for its UAE business, reckons Ryoji Sano, president of Daikin Middle East and Africa. He said that the company intends to continue to innovate and lead “by introducing the most energy efficient, environmentally friendly and highest quality products to the market”.

Daikin air-cooled chiller products will now be labelled with the EQM mark to show they comply with the safety and energy efficiency requirements of the Emirates Authority For Standardisation and Metrology.

This trend was also evident at the HVACR Expo Saudi 2017 in Jeddah earlier this year, where industry professionals gathered in their thousands to explore new technology and assess market developments.

Among them was another major global HVACR player, Carrier, part of UTC Climate, Controls & Security, which showcased its latest innovations, including a new VRF system and high-efficiency hi-wall unit, which uses inverter technology and offers excellent energy efficiency ratings with greatly reduced energy consumption as well as improved performance. The new systems use the environmentally-balanced refrigerant, Puron, which does not emit any ozone-depleting chemicals and is non-flammable and non-corrosive.

Giorgio Elia, vice-president, UTC Climate, Controls & Security, Middle East, said the portfolio of products “demonstrates our commitment to sustainability and to continuously improving energy efficiency.”

Across the GCC, this flight to quality – to improved energy performance, and higher quality industry ratings – shows manufacturers are responding to new rules and government initiatives on areas ranging from tighter environmental scrutiny to health and safety.

Expect more of the same from the HVACR industry as these initiatives take root. ■

Alderley re-enters the Iran market

ALDERLEY ARE DELIGHTED to be able to move back into the Iranian market since the lifting of sanctions. As a big player in the market previously, Alderley already have a large installed base of 35 metering systems and six produced water treatment packages in the region. In order to ensure systems are running at optimal capacity, Alderley have been proactively engaging with existing clients and have visited various sites such as Abadan Refinery, Darquain and Asaluyeh to provide maintenance and engineering support services.

Eric Maddock, business development director, Alderley AFZE comments, "This is a good time for Alderley to re-enter the Iranian market and as part of giving our clients the best support for their systems, we are extremely pleased to announce our new partners in the region: Artman Systems Company. Artman have an extremely good reputation in Iran and have a full understanding of the market place and our clients. We have built a strong team locally that will be able to manufacture and support our clients with the transfer of technology and service support."

Alderley and Artman Systems Company will be exhibiting at the Iran Oil and Gas Show from 6-9 May 2017 in Hall 41, stand no: 2136. At the exhibition Alderley will be highlighting their capabilities across modular packages, custody transfer and fiscal metering systems, produced water treatment packages, hydraulic, pneumatic and electrical control systems along with flow measurement software and auditing services.

Alderley plc

+971 4 804 2777, sales@alderley.com, www.alderley.com



Alderley's current installed base in Iran

Specialised in high quality industrial valves

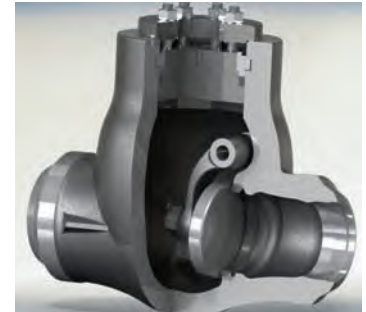
VALCO GROUP FRANCE, founded in 1949, is specialised in engineering design, production and maintenance of high quality industrial valves, through its brands MALBRANQUE, GUICHON and SNRI.

We are recognised world-wide and approved by most of the licensors, end-users and engineering companies in petrochemical, chemicals, fine chemicals, industry, nuclear and power sectors for special valves and custom-made solutions. Our products are designed and adapted for aggressive, corrosive, viscous fluids and for the harshest environmental conditions in exploration, refining and petrochemical processes. On-site maintenance, repair and renewal can be done by our roving "Valco-Valves-Services" teams to guarantee all of the products' initial performance levels, whatever the date of their being first put into service.

We are proud of our long experience and constant support towards our Iranian customers and are grateful for their confidence in our safe and unique products.

Valco Group France

+33 (0)5 45296000, sales@irfaco.ir, www.valcogroup.fr; www.guichon.com



Sulphur solidification and handling plants

SANDVIK DELIVERS COMPLETE end-to-end systems from receipt of molten sulphur to transport loading of solid material to hundreds of companies around the globe. The company's portfolio includes sulphur degassing, molten truck and rail car loading, block pouring, remelting, a full range of sulphur solidification equipment, downstream storage and reclamation systems, as well as bagging systems and bulk loading equipment for truck, rail and ships. In terms of solidification, Sandvik provides systems to meet all capacity requirements.



Sandvik Process Systems

+49 711 5105-0
info.spsde@sandvik.com
www.processsystems.sandvik.com

Global supplier of stainless steel reinforcement

ARMINOX IS THE world's leading supplier of stainless steel reinforcement.

The company has its headquarters in Denmark, and has companies in the USA, Canada, UK, France, UAE and China. Arminox Middle East was established 15 years ago, and is serving customers throughout the Middle East. Arminox has a large stock of raw material in the UAE and can supply clients at short notice.

Arminox Middle East FZC

+971 4 8872777
arminox@eim.ae
www.arminox.com





INTERNET OF THINGS

Cyber security for critical infrastructure

An effective cyber security approach is needed to offset growing IoT risk, says Jonathan Lewit, communications committee chair for ONVIF, the open industry forum promoting and developing global standards for interfaces of IP-based physical security products.

THE FAR-REACHING impact of the Mirai malware attack of October 2016, which knocked out Amazon, Netflix, CNN and PayPal among others, should be the catalyst for a global shake-up of critical infrastructure cyber security as the proliferation of network connected devices continues to gain momentum.

This was the crux of a conference session led by Jonathan Lewit, communications committee chair for ONVIF, the open industry forum promoting and developing global standards for interfaces of IP-based physical security products, speaking at Intersec 2017. Lewit focused on the necessity of balancing smart business connectivity decisions against the risk of possible breaches of an organisation's information systems.

"Energy security, access to the electrical grid and police and fire safety are just a handful of things that we take for granted on a daily basis. The question is what happens [to information] inside those organisations, including the digitisation of information and internal communication, as well as the transfer of information outside of the organisation, to make it available wherever you are and whenever you need it," he said.

The rise of the use of mobile devices and increased options for interconnectivity are a fact of life, both personally and for business, but are also a major cause for concern for companies and entities keen to minimise threats to their information security. This is being further impacted, and opened up to risk, by new information-handling tools such as big data, cloud systems and the Internet of Things (IoT).

ONVIF's vision is for all communications systems to share one interface, where instead

of worrying about security across different drivers under development, there will be one single driver. Lewit also called for companies to work together on this approach.

"A key point to highlight is the security of the devices that you put on the network, and this isn't necessarily isolated to the data that's on them, but the available intelligence that can potentially be compromised," he said.

He also touched on the dangers of complacency, saying, "Around 95 per cent of breaches are due to some sort of simple password error. We are very quick to type in a simple, easy to remember password, and this increases the potential for compromised access to our most private information."

IoT applications in everyday life run the gamut of human needs from medical devices

“ONVIF's vision is for all communications systems to share one interface.”

and business security systems to home monitoring and citywide transportation planning, among others. Lewit noted that with IoT growth through to 2020 expected to result in 50bn devices connected across the system, this only serves to increase the risk of future breach exposure.

Add to that a growing black market for fake devices, which can come pre-loaded with malware, and the associated risk of using such non-controlled devices, which

can be made complicit in a denial service-style attack.

"IoT security budgets are also expected to increase by almost 20 per cent over the same period to account for this increase in proliferation of devices on the system," he added on a positive note.

He continued, "Organisations therefore need to find the right balance between availability and protection, taking cost into account as well. It's a different 'threatscape' than with a PC. A PC can hold a lot of sensitive information, but an IoT device can be complicit in other actions on your network.

"We are not cyber mature at this point. We need to think more about the benefits that technology gives us rather than the risk it presents, but tailor our actions accordingly. And we also need to develop a whole bunch of new technologies to resolve these security issues."

Lewit also urged manufacturers to play their part, as IoT devices are easier to harden than your average PC, and this presents an opportunity in leveraging existing encryption technologies.

"They need to think about out-of-the-box default settings, for example; or whether we should lock some things down to protect our customers when trying to set up their devices," he said.

The role of standards is vital to ensuring real-time security. Lewit concluded, "The message is loud and clear; from a connectivity standpoint, the interconnected universe isn't going to go away. There are two possible developments here: we can have limited utilisation of standards, or openness and unlimited interoperability. IoT is not possible without standards." ■

Crane system range extended

EXTENDING CRANES IN the lower load capacity range have been added to the Demag KBK modular crane construction kit, bringing benefits resulting from further reduced deadweight and an extended operating range.

The KBK system is a versatile light crane system that can be adapted to meet differing requirements in production, assembly and shipping applications. The system is based on steel and aluminium profile sections and smooth-running trolleys that enable hoist units to be moved with ease. The low deadweight of the profile sections also contributes towards their smooth running characteristics. The result is a system that literally gives the operator hands-on support for handling loads, improves ergonomics and reduces the physical burden to a minimum.

New to the product range are extending cranes for the small KBK I, A12 and A16 profile section sizes with load capacities of 80kg and 125kg. They enable users of KBK systems that are equipped with these profile sections to perform lifting and positioning tasks also beyond the crane runway. This extends the working area that can be served by a "small" KBK system and also provides good access to parts of a workshop that are otherwise difficult to reach – for example between pillars and supports.

The smooth running characteristics of the trolleys require the operator to exert very little force to move the hoist unit outside the crane runway to pick up and deposit loads.

New BOP testing tool

SAMOCO OIL TOOLS has launched OneTrip® to greatly reduce the time and costs associated with mandatory Blowout Prevention (BOP) testing. The company collaborated with Shell Offshore Engineering to engineer, manufacture and test the new tool.

Traditional methods perform three separately staged subtests of the BOP's large RAM, small RAM, and sheering capabilities which require testing tools to run multiple "trips" along the BOP stack. OneTrip's proprietary design enables the testing of all three during a single trip down the hole.

OneTrip's additional BOP testing capabilities include:

- A low torque, high-pressure seal design to ensure a resilient downhole seal that can withstand harsh subsea conditions
- Ability to withstand 25,000psi test and sustain a load up to 1.2M lbs.
- Technology that holds OneTrip downhole until BOP test results are confirmed satisfactory.



OneTrip® BOP testing tool

High performance and Custom made valves

designed & made in France

Applications

Oil & Gas (upstream-downstream)
Petrochemicals
Chemicals
Power

Materials

Carbon steels
Stainless steels
Duplex steels
Nickel Alloys
Special Alloys...

Range

Up to 48 in.
Up to cl. 2,500
- 196°C to + 600°C

Technologies

Gate / Globe
Check / Piston
Multiways
Transfer Line valves

www.valcogroup.fr
rfq@snri.fr



www.guichon.com
sales@guichon-valco.com



Member of VALCO GROUP

Meet us at
TEHRAN OIL SHOW
6 - 9 May 2017
Hall 44B - Booth 1307



Member of VALCO GROUP

High performance screw technology for blower air

KAESER KOMPRESSOREN, THE Coburg-based compressed air specialist, has introduced new screw and high efficiency portable compressors.

The new Kaeser DBS screw blowers from 15 kW for low rates from 8 to 22 m³/min are significantly more efficient than conventional rotary blowers and also provide substantial energy savings compared with many competing rotary and turbo blowers, thanks to the proven Sigma rotor technology used in the rotary screw compressor sector. Another key factor is the innovative non-slip direct drive with speed transmission integrated into the airend.

These screw blowers are especially well suited to municipal and industrial water treatment applications. Two different versions are available to meet the needs of water treatment plants requiring pressures of 400 or 650 mbar. The new blowers are exceptionally quiet, with sound levels in primary applications not exceeding 72 dB, which is equivalent to a modern vacuum cleaner.

They are designed for use over long duty cycles, including continuous operation, require little maintenance, and can be installed side by side, or even next to a wall.



The new Kaeser DBS screw blower

New app to calculate correct fire protection system

TRELLEBORG'S OFFSHORE OPERATION is launching an app to calculate the correct FireNut™ passive fire protection system a customer needs to suit their flange.

FireNut™ is a lightweight, easy to install alternative to the fire-insulated metal boxes used for the protection of bolted connections or flanges on offshore installations. A rubber-based fire protection system, it specifically protects just the nuts of a bolted connection or flange. This lightweight solution is customisable to accommodate almost any bolt size, is easy to install and extends the service life in the event of a fire, being resistant to both jet fire and pool fire.

Patrick Waal, sales manager at Trelleborg's offshore operation, said, "The app will give our customers a quick guide to choosing the best FireNut™ for their flange type. By installing effective and reliable passive fire protection systems like FireNut™, our customers can significantly improve onboard safety."

This FireNut™ app is currently available for download for iPhone and iPad, and is planned for release on Android and as a web-tool. To download the app, search for 'Trelleborg FireNut' in the app store.

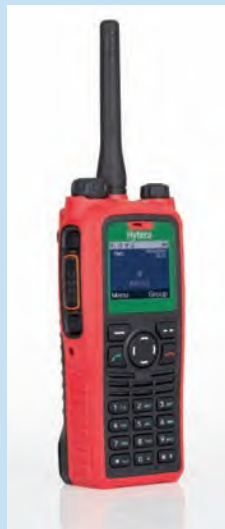
World's first ia explosion-proof TETRA radio

HYTERA HAS LAUNCHED PT790 Ex, the first ia explosion-proof TETRA radio in the world. This device has passed ATEX, FM, IECEX certifications and complies with IP67 rating as well as MILSTD 810 C/D/E.

The two-way TETRA radio is operable in places that contain explosive gases, including mine methane, such as coalmines, gas stations, oil platforms, chemical plants, airports and other inflammable or explosive conditions. It can also be used in Zone 0/1/2 and complies with M1.

The rugged device features an antistatic shell made of light metal to avoid mechanical spark and reduce the possibility of static discharge. The 4.6 cm LCD screen is also crack-proof and provides a clear display even under bright sunlight. Separated by the antenna, the radio's channel knob and volume knob stand apart from each other, while large textured keys provide good tactile feeling. These features combined are designed to offer ease of use and accuracy when users wear gloves or operate the device in dark environments.

The product supports GNSS positioning, man down and lone worker functions for worker safety. It also provides a 1800/2400 mAh large capacity Li-ion battery, which lasts over 20 hours under 5-5-90 duty cycle. A strict over-charge and over-discharge protection design protects the battery against instability caused by overheating.



The new TETRA radio is operable in environments containing explosive gases

New solution to extract insight from equipment condition data

ABB HAS INTRODUCED a new solution to help oil, gas and chemical decision makers extract meaningful insight from equipment condition data.

The new ABB Ability™ AssetInsight gives oil, gas and chemicals decision makers a clearer, real-time picture of the health of their operating equipment via a web browser. It enables operators and supervisors to prioritise actions so they can better plan maintenance and operations strategies, with the goal of moving toward a more cost-effective predictive maintenance strategy.

ABB Ability™ AssetInsight gathers information from disparate systems across disciplines, from devices and instrumentation to automation to IT, to provide one aggregated view of condition status on a system-wide level.

"What's unique about ABB Ability™ AssetInsight is that it provides easy, secure access to data on any browser on a customer's office network," says Tone Grete Graven, ABB Ability™ AssetInsight product manager. "This helps foster collaborative problem solving and information sharing so everyone throughout an organisation can stay up to date, no matter if they're in the control room or working remotely."

Managers and directors can benefit from clear insight into equipment condition for a resource or financial planning purposes. Maintenance and service personnel can begin transitioning to a predictive maintenance strategy for all critical assets.

"Transitioning to condition-based maintenance is a big benefit for producers," says Graven. "By taking a predictive approach, rather than preventive, producers can optimise operations, reduce risk and cut costs. ABB Ability™ AssetInsight can be an important step to enabling that approach."

Additionally, because ABB Ability™ AssetInsight is a modular solution, it supports a step-wise roll out of functionality as well as easy upgrades of individual components, being built to integrate with existing systems and tools.



The solution will help oil, gas and chemical decision makers. (Photo: the_lightwriter/fotolia)

Oil Review Africa

Oil · Gas · Petrochemicals

The continent's most successful oil and gas publication



Oil Review Africa covers the oil and gas related sectors including exploration, drilling, production, pipelines, refining and gas processing across the continent.

No matter what you are selling to these markets, Oil Review Africa provides an ideal editorial platform for your advertising and will make your presence felt.

Visit us at
www.oilreviewafrica.com

“Many thanks for a very informative & useful magazine!
I rate it as the best O&G magazine in Africa.”

General Manager West Africa, Protea Chemicals



**Alain
Charles**
Publishing

MENA Tel: +971 4 448 9260
ASIA Tel: +91 80 6533 3362
USA Tel: +1 203 226 2882
EUROPE & AFRICA Tel: +44 20 7834 7676

e-mail: post@alaincharles.com
web: www.alaincharles.com
www.oilreviewafrica.com

راه حل جدید برای استخراج نکاتی از داده‌های وضعیت تجهیزات

ABB راه حل جدیدی برای کمک به تصمیم‌گیرندگان صنایع نفت، گاز و مواد شیمیایی برای استخراج نکاتی معینار از داده‌های وضعیت تجهیزات ارائه می‌دهد.

داده‌های وضعیت تجهیزات ارائه می‌دهد.

تصمیم‌گیرندگان صنایع نفت، گاز و مواد شیمیایی از طریق یک مرورگر وب، تصویری واضحتر و فوری از سلامت تجهیزات عملیاتی آنها ارائه می‌دهد. این امر اپراتورها و ناظران را قادر می‌سازد دست به اولویت‌بندی اقدامات بزنند تا بهتر بتوانند استراتژیهای تعمیر و نگهداری و عملیات را برنامه‌ریزی کنند و به سمت یک استراتژی نگهداری پیشبینیکننده مقرر به صرفه‌تر حرکت نمایند.

پیشبینیکننده مقرر به صرفه‌تر حرکت نمایند.

Ability™ AssetInsight شرکت ABB بر خلاف

راه‌های دیگر که به تجهیزات خاص یا اجزای آنها

محدود است، اطلاعاتی را از سیستمها، دستگاهها و ابزار

دقیق مختلف جمع‌آوری میکند تا با ایجاد اتوماسیون در

تکنولوژی اطلاعات، نمای جامعی از وضعیت در سطح کل

سیستم ارائه نماید.

تکنولوژی اطلاعات، نمای جامعی از وضعیت در سطح کل

سیستم ارائه نماید.

تکنولوژی اطلاعات، نمای جامعی از وضعیت در سطح کل

سیستم ارائه نماید.

تکنولوژی اطلاعات، نمای جامعی از وضعیت در سطح کل

سیستم ارائه نماید.

تکنولوژی اطلاعات، نمای جامعی از وضعیت در سطح کل

سیستم ارائه نماید.

تکنولوژی اطلاعات، نمای جامعی از وضعیت در سطح کل

سیستم ارائه نماید.

تکنولوژی اطلاعات، نمای جامعی از وضعیت در سطح کل

سیستم ارائه نماید.

تکنولوژی اطلاعات، نمای جامعی از وضعیت در سطح کل

سیستم ارائه نماید.

تکنولوژی اطلاعات، نمای جامعی از وضعیت در سطح کل

سیستم ارائه نماید.

تکنولوژی اطلاعات، نمای جامعی از وضعیت در سطح کل

سیستم ارائه نماید.

تکنولوژی اطلاعات، نمای جامعی از وضعیت در سطح کل

سیستم ارائه نماید.

تکنولوژی اطلاعات، نمای جامعی از وضعیت در سطح کل

سیستم ارائه نماید.

تکنولوژی اطلاعات، نمای جامعی از وضعیت در سطح کل

سیستم ارائه نماید.

تکنولوژی اطلاعات، نمای جامعی از وضعیت در سطح کل

سیستم ارائه نماید.

تکنولوژی اطلاعات، نمای جامعی از وضعیت در سطح کل

سیستم ارائه نماید.

تکنولوژی اطلاعات، نمای جامعی از وضعیت در سطح کل

سیستم ارائه نماید.

تکنولوژی اطلاعات، نمای جامعی از وضعیت در سطح کل

سیستم ارائه نماید.

تکنولوژی اطلاعات، نمای جامعی از وضعیت در سطح کل

سیستم ارائه نماید.

تکنولوژی اطلاعات، نمای جامعی از وضعیت در سطح کل

سیستم ارائه نماید.

تکنولوژی اطلاعات، نمای جامعی از وضعیت در سطح کل

سیستم ارائه نماید.

تکنولوژی اطلاعات، نمای جامعی از وضعیت در سطح کل

سیستم ارائه نماید.

تکنولوژی اطلاعات، نمای جامعی از وضعیت در سطح کل

سیستم ارائه نماید.

تکنولوژی اطلاعات، نمای جامعی از وضعیت در سطح کل

سیستم ارائه نماید.



این راه حل به تصمیم‌گیرندگان صنایع نفت، گاز و مواد شیمیایی کمک خواهد کرد. (عکس: the_lightwriter/fotolia)

تکنولوژی پیچ با عملکرد بالا برای دمنده هوا

شرکت کیزر کمپرسورن، که شرکت تخصصی تولید هوای فشرده واقع در کوبرگ است، کمپرسورهای پیچی و قابل حمل با راندمان بالای جدیدی را معرفی کرده است.

دمنده‌های پیچی جدید DBS کیزر از 15 کیلو وات برای نرخ پایین از 8 تا 22 متر مکعب/دقیقه به‌طور قابل توجهی بهره‌وری بیشتری نسبت به دمنده‌های چرخشی معمولی دارند و همچنین در مقایسه با بسیاری از دمنده‌های چرخشی و توربو رقیب صرفه‌جویی قابل توجهی در انرژی ارائه می‌کنند که این امر به لطف تکنولوژی روتور سیگمای تأیید شده مورد استفاده در بخش کمپرسور پیچی چرخشی است. عامل کلیدی دیگر نیروی محرکه مستقیم بدون لغزش نوآورانه‌ای است که انتقال سرعت آن در انتهای لوله هوا قرار گرفته است.

این دمنده‌های پیچی به‌خصوص برای کاربردهای تصفیه آب شهری و صنعتی مناسب هستند. دو مدل مختلف آنها برای پاسخگویی به نیازهای تصفیه‌خانه‌های آب نیازمند فشار 400 یا 650 میلیبار در دسترس هستند. دمنده‌های جدید فوق‌العاده بصددا هستند چرا که سطح صدا در کاربردهای اصلی از 72 دسیبل که معادل یک جارو برقی مدرن است فراتر نمی‌رود.



عنوان تصویر: دمنده‌های پیچی جدید DBS کیزر

طراحی آنها برای استفاده در چرخه‌های کاری طولانی، از جمله فعالیت دائمی طراحی شده است، نیاز به نگهداری کمی دارند و می‌توانند در کنار یکدیگر یا حتی در کنار دیوار نصب شوند.

برنامه‌های تازه برای محاسبه سیستم صحیح حفاظت در برابر آتشسوزی

شرکت عملیات دریایی تریلبرگ در حال راه‌اندازی نرم‌افزاری برای محاسبه سیستم حفاظت در برابر آتشسوزی منفعلی FireNut™ صحیحی است که مشتری بر اساس فلنجهای خود به آن نیاز دارد.

FireNut™ جایگزینی سبک با قابلیت آسان نصب برای جعبه‌های فلزی عایق در برابر آتشسوزی مورد استفاده برای حفاظت از اتصالات پیچی یا فلنجه در تأسیسات دریایی است. این سیستم حفاظت در برابر آتشسوزی مبتنی بر لاستیک، به‌طور خاص فقط از مهره‌های اتصال پیچی یا فلنج محافظت میکند. این راه‌حل با وزن بسیار کم و قابل تنظیم بوده و میتواند تقریباً برای پیچهایی با تمام اندازه‌ها مورد استفاده قرار گیرد، نصب آن آسان است و در صورت آتشسوزی طول عمر را افزایش داده و در برابر هر دو نوع آتشسوزی نقطه‌ای و آتشسوزی فراگیر مقاوم است.

پاتریک وال، مدیر فروش شرکت عملیات دریایی تریلبرگ گفت: "این برنامه مشتریان ما را برای انتخاب بهترین FireNut™ برای نوع فلنج خودشان راهنمایی میکند. مشتریان ما با نصب سیستم‌های حفاظت در برابر آتشسوزی منفعلی مؤثر و قابل اعتمادی مانند FireNut™ میتوانند ایمنی سکوی خود را به میزان قابل توجهی بهبود ببخشند."

برنامه FireNut™ در حال حاضر برای دانلود جهت آیفون و آیبید در دسترس است و طبق برنامه‌ریزی قرار است به‌زودی برای ابزار تحت وب برای آندروید منتشر شود. برای دانلود این برنامه، عبارت "FireNut Trelleborg" را در فروشگاه برنامه جستجو کنید.

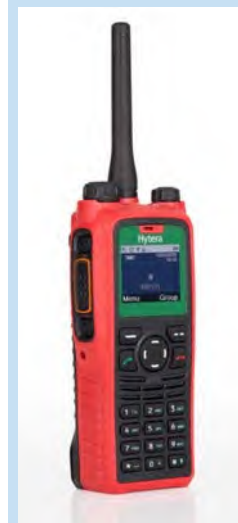
نخستین بیسیم تترای ضد انفجار جهان

شرکت هایترا محصول PT790 Ex، نخستین بیسیم تترای ضد انفجار در جهان را معرفی کرده است. این دستگاه گواهیهای ATEX، FM و IECEx را با موفقیت کسب کرده است و با رتبه‌بندی IP67 و همچنین MILSTD 810 C/D/E مطابقت دارد.

بیسیم دوطرفه تتر در مکانهای حاوی گازهای انفجاری، از جمله متان معدن، نظیر معادن ذغالسنگ، ایستگاههای گاز، سکوی نفتی، کارخانه‌های مواد شیمیایی، فرودگاهها و سایر مناطق دارای مواد قابل اشتعال یا منفجره قابل استفاده است. همچنین میتواند در نواحی 0/1/2 استفاده شده و با M1 مطابقت دارد.

این دستگاه با طراحی محکم و ویژگیهایی از قبیل پوسته ضدبار ساکن ساخته شده از فلز سبک برای جلوگیری از جرقه مکانیکی و کاهش احتمال تخلیه بار ساکن دارد. صفحه نمایش السیدی 4.6 سانتیمتر آن نشکن بوده و حتی در نور شدید آفتاب نیز خوانا است. دکمه مدور کانال این بیسیم و دکمه مدور میزان صدای آن با آنتن از یکدیگر جدا شده‌اند، در حالی که کلیدهای بزرگ بافتدار آن قابلیت لمس مناسبی را فراهم میکنند. این قابلیت‌ها طوری ترکیب و طراحی شده‌اند که وقتی کاربران دستکش می‌پوشند یا در محیطهای تاریک هستند بتوانند به‌راحتی و با دقت از دستگاه استفاده نمایند.

این محصول از موقعیت‌یابی GNSS، عملکردهای حالت سقوط و کارگر تنها برای ایمنی کارگر پشتیبانی میکنند. همچنین دارای یک باتری پرظرفیت لیتیوم یون 1800/2400 میلی‌آمپر است که در چرخه‌های 5-90-5 بیش از 20 ساعت دوام می‌آورد. طراحی دقیق حفاظت در برابر شارژ و تخلیه شارژ بیش از حد، از باتری در برابر ناپایداری ناشی از گرمای بیش از حد محافظت میکند.



بیسیم جدید تتر در محیطهای حاوی گازهای قابل انفجار قابل استفاده است

ابزار جدید تست جلوگیری از فوران چاه

شرکت ابزارهای ساموکو اوپل با بهره‌برداری از OneTrip® زمان و هزینه‌های مرتبط با تست اجباری جلوگیری از فوران چاه (BOP) را کاهش داده است. این شرکت با شرکت مهندسی دریایی شل در زمینه مهندسی، تولید و تست ابزار جدید همکاری کرده است.

در روشهای سنتی سه تست فرعی جداگانه جلوگیری از فوران چاه شامل RAM بزرگ، RAM کوچک و قابلیت‌های انحراف انجام میشود که نیازمند آن است که ابزارهای تست چند "سفر" را در امتداد پشته جلوگیری از فوران انجام دهند. طراحی اختصاصی OneTrip امکان انجام هر سه تست را در طول یک بار سفر به پایین چاه فراهم میسازد.

سایر قابلیت‌های تست جلوگیری از فوران OneTrip عبارتند از:

- گشتاور کم، طراحی فشار آبنندی بالا برای اطمینان از آبنندی انعطافپذیر چاه که میتواند در برابر شرایط دشوار زبردیا مقاومت کند
- توانایی مقاومت در برابر تست 25,000 پاسکال و حفظ بار تا 1.2 مگاپوند.
- تکنولوژی که OneTrip را در ته چاه نگه میدارد تا زمانی که نتایج تست جلوگیری از فوران چاه رضایتبخش باشد



ابزار تست جلوگیری از فوران چاه OneTrip®

محدوده سیستم جرثقیل گسترش مییابد

استفاده از جرثقیلهای بازشونده در محدوده ظرفیت بار کوچک به کیت ساخت و ساز جرثقیل مدولار شرکت دیماگ کبیکبیکی افزوده شده و مزایای ناشی از کاهش بیشتر وزن مرده و توسعه محدوده عملیاتی را به همراه آورده است.

سیستم KBK یک سیستم جرثقیل سبک چندمنظوره است که آن را میتوان برای برآورده ساختن نیازهای مختلف در کاربردهای تولید، مونتاژ و حمل و نقل تطبیق داد. این سیستم مبتنی بر استفاده از پروفیل‌های فولادی و آلومینیومی و قرقه‌های صاف متحرک است که به واحدهای بالابر امکان میدهند با سهولت جابجا شوند. وزن مرده اندک بخشهای پروفیل کمک میکند تا حرکت آنها بهطور روان صورت بگیرد. نتیجه این کار سیستمی است که به معنای واقعی کلمه به اپراتور برای انتقال بارها کمک میکند، ارگونومی را بهبود بخشیده و بار فیزیکی را به حداقل میرساند.

محصولات جدید اضافه شده به این محدوده عبارتند از جرثقیلهای بازشونده برای بارهای کوچک KBK، اندازه بخش پروفیل A12 و A16 با ظرفیت بار 80 و ۱۲۵ کیلوگرم. این مسئله کاربران سیستمهای KBK مجهز به این بخشهای پروفیل را قادر میسازد کارهای بلند کردن و قرار دادن بارها را فراتر از خط سیر جرثقیل انجام دهند. این کار باعث گسترش محدوده کاری میشود که سیستم KBK "کوچک" میتواند به آن خدمات ارائه کند و همچنین دسترسی خوبی را به بخشهایی از کارگاه فراهم میکند که دسترسی به آنها دشوار است - نظیر بین ستونها و تکه‌گاهها.

حرکت روان قرقه‌ها باعث میشود اپراتور ملزم به اعمال نیروی بسیار اندکی برای حرکت دادن واحد بالابر به خارج از خط سیر جرثقیل جهت بلند کردن و گذاشتن بارها باشد.

انتخاب هوشمندانه

تقویت فولاد ضد زنگ آرمینوکس (Arminox) - مقرون به صرفه ترین راه کار با نیاز به کمترین میزان نگهداری برای صنعت ساخت و ساز فولاد تقویت شده ضد زنگ آرمینوکس زنگ نمی زند. این محصول برای اسکلت بتنی استفاده می شود بنابراین راهی مطمئن برای اجتناب از وارد آمدن خسارت به بتن در نتیجه خوردگی و پس از آن نوسازی جامع و گران است. با استفاده هوشمندانه از تقویت فولاد ضد زنگ، ما از به دست آوردن نتیجه مثبت در نهایت اطمینان حاصل می کنیم.



مشتری ها و پروژه های اخیر عبارتند از: هنگ کنگ ماکائو بریج (Hong Kong Macau Bridge)، آر تی ای دبی (Dubai Highway Bridge)، RTA Dubai، Gmuda Bernhard Sitra Causeway Bridge، Bah rain، بندر تجاری آرچیرودون (Archirodon)، پل شیخ زاید (Shaikh Zayed Bridge) ابوظبی.

ARMINOX®
میان شرق ضد زنگ MIDDLE EAST FZC

Arminox Middle East FZC, P.O. Box 16941, Jebel Ali, Dubai, Tel: +971 4 8872777, Fax: +971 4 8872778
Email: arminox@aim.ai www.arminox.com



INOX

INOX Global FZCO

فولاد ضد زنگ، دوپلکس، سوپر دوپلکس و آلیاژ نیکل

P.O Box : 18491, Jebel Ali Free Zone
Dubai, United Arab Emirates

Tel: +971 4 881 8699, Mobile : +971 50 551 3593

Email: info@inox-global.com www.inox-global.com

آلدردلی دوباره وارد بازار ایران میشود



عنوان تصویر: پایه فعلی نصب شده آلدردلی در ایران

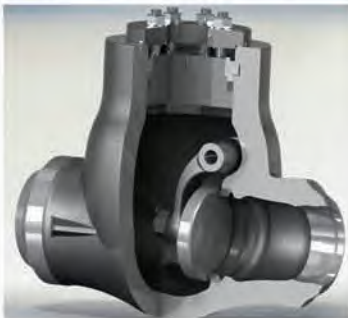
آلدردلی خوشحال است که پس از لغو تحریمها قادر است دوباره به بازار ایران برگردد. آلدردلی که پیش از این بازیگر مهمی در بازار بود، در حال حاضر دارای 35 سیستم اندازهگیری و شش بسته تصفیه آب تولیدی نصب شده در منطقه است. آلدردلی به منظور اطمینان از اینکه این سیستمها با ظرفیت مطلوب در حال کار هستند، فعالانه با مشتریان موجود خود در تماس بوده و از مکانهای مختلف از جمله پالایشگاه آبادان، دارخوین و عسلویه برای ارائه خدمات تعمیر و نگهداری و پشتیبانی مهندسی بازدید کرده است. اریک مدداک، مدیر توسعه فعالیتهای تجاری شرکت آلدردلی ایفزدای اظهار داشت "زمان مناسبی است که آلدردلی دوباره وارد بازار ایران شود تا بهترین پشتیبانی را برای سیستمهای مشتریان خود ارائه دهیم، ما بسیار خوشحالیم که شریک جدید خود را در این منطقه معرفی نماییم: شرکت سیستمهای آرمن. آرمن دارای شهرت بسیار خوبی در ایران بوده و درک کاملی از بازار و مشتریان ما دارد. ما تیم نیرومندی را در محل ایجاد کردهایم که با انتقال تکنولوژی و خدمات پشتیبانی قادر به تولید و حمایت از مشتریان ما خواهد بود."

آلدردلی و شرکت سیستمهای آرمن در نمایشگاه نفت و گاز ایران از 6 تا 9 ماه مه 2017 در سالن 41، غرفه شماره 2136 حضور دارند. آلدردلی در این نمایشگاه تواناییهای خود در خصوص پکیجهای مدولار، سیستمهای انتقال و سنجش مالی، پکیجهای تصفیه آب تولیدی، سیستمهای کنترل هیدرولیکی، پنوماتیکی و الکتریکی همراه با نرمافزار اندازهگیری جریان و خدمات حسابرسی را به نمایش خواهد گذاشت.

آلدردلی پیالسی

+971 4 804 2777, sales@alderley.com, www.alderley.com

متخصص در شیرهای صنعتی با کیفیت بالا



گروه والکو فرانسه که در سال 1949 تأسیس شد در زمینه مهندسی طراحی، تولید و تعمیر و نگهداری شیرآلات صنعتی با کیفیت بالا، از طریق برندهای خود یعنی مالپرانکه، گوئیچون و استری تخصص دارد.

ما در سراسر جهان شناخته شده هستیم و توسط بسیاری از مجوزدهندگان، کاربران نهایی و شرکتهای مهندسی در صنایع پتروشیمی، مواد شیمیایی، مواد ریزشیمیایی، صنعت، بخش هستهای و برق به خاطر شیرهای ویژه و راه حلهای سفارشی خود مورد تأیید قرار گرفتیم. محصولات ما برای سیالات قوی، خوردنده و گرانرو و سختترین شرایط محیطی در فرایندهای اکتشاف، پالایش و پتروشیمی طراحی و تطبیق داده شدهاند. نگهداری، تعمیر و نوسازی در محل توسط تیمهای "خدمات شیرهای والکو" ما در کشورهای مختلف قابل انجام است تا تضمین گردد که تمام محصولات سطح عملکرد اولیه خود را برآورده سازند، صرفنظر از تاریخی که برای اولین بار مورد استفاده قرار میگیرند. ما به تجربه طولانی و حمایت همیشگی خود از مشتریان ایرانیان افتخار میکنیم و از اعتماد آنها به محصولات ایمن و منحصر به فردمان سپاسگزاریم.

گروه والکو فرانسه

+33 (0)5 45296000, sales@irfaco.ir, www.valcogroup.fr; www.guichon.com

تأمینکننده جهانی میلگرد فولاد ضدزنگ



آرمینوکس تأمینکننده پیشروی جهان در زمینه میلگرد فولاد ضدزنگ است. دفتر مرکزی این شرکت در دانهارک بوده و شرکتهایی در ایالات متحده آمریکا، کانادا، انگلستان، فرانسه، امارات متحده عربی و چین دارد.

آرمینوکس خاور میانه 15 سال پیش تأسیس شد و به مشتریان سراسر خاور میانه خدمات ارائه میکند.

آرمینوکس انبار بزرگی از مواد اولیه در امارات متحده عربی دارد و میتواند در کوتاهترین زمان به مشتریان محصول ارائه کند.

آرمینوکس خاور میانه افزودنی
+971 4 8872777
arminox@eim.ae
www.arminox.com

تأسیسات جامدسازی و حمل و نقل گوگرد



سندویک به ارائه سیستمهای جامع از دریافت گوگرد مذاب تا حمل و نقل گوگرد جامد به صدها شرکت در سراسر جهان میپردازد. نمونه کارهای شرکت عبارتند از: کاززدایی از گوگرد، بارگیری گوگرد مذاب با کامیون و واگن، بلوکریزی، ذوب مجدد، طیف گسترده تجهیزات جامدسازی گوگرد، سیستمهای ذخیرهسازی و احیای

پایین دستی، و همچنین سیستمهای کیسه پرکنی و تجهیزات بارگیری فله برای کامیون، راه آهن و کشتی. سندویک درخصوص جامدسازی، سیستمهایی را برای برآورده کردن تمام ظرفیتهای مورد نیاز ارائه مینماید.

سیستمهای فرآیند سندویک
+49 711 5105-0
info.spsde@sandvik.com
www.processsystems.sandvik.com

بهره‌وری انرژی در بازار گرمایش، تهویه، تهویه مطبوع و

تبرید نقش اساسی ایفا میکند

شرکت‌های گرمایش، تهویه، تهویه مطبوع و تبرید در حال تمرکز بر تکنولوژی و نوآوری هستند تا بتوانند راه‌حلهایی با مصرف انرژی بهینه‌تر برای بازار در حال رشد زیاد شورای همکاری خلیج فارس ارائه کنند. مارتین کلارک گزارش می‌دهد.



ساخت و سازه‌های فراوان در تمام کشورهای شورای همکاری خلیج فارس علت تقاضا در بازار گرمایش، تهویه، تهویه مطبوع و تبرید (HVAC) است. (عکس: ZakS Photography/Shutterstock)

یکی از آنها یک بازیگر دیگر صنعت گرمایش، تهویه، تهویه مطبوع و تبرید در سطح جهان یعنی کریر بود که بخشی از شرکت اقلیم، کنترل و امنیت یوتیسی است و آخرین نوآوریهای خود از جمله یک سیستم VRF جدید و یک واحد دیواری با راندمان بالا را معرفی کرد که از تکنولوژی اینورتر استفاده کرده و رتبه بهره‌وری انرژی بسیار عالی همراه با کاهش زیاد مصرف انرژی و همچنین بهبود عملکرد را نشان داد. این سیستم‌های جدید از مبرد سازگار با محیط زیست یعنی پورن استفاده میکنند که هیچ ماده شیمیایی را به اوزون تخلیه نمیکند، غیر قابل اشتعال و غیرخورنده است.

جورجیو الیا، معاون شرکت اقلیم، کنترل و امنیت یوتیسی خاور میانه، گفت: «فونته محصولات ما «نشان‌دهنده تعهد ما به پایداری و بهبود مداوم بهره‌وری انرژی» است.

این اوجگیری کیفیت در تمام کشورهای شورای همکاری خلیج فارس - به منظور بهبود بهره‌وری انرژی و رتبه صنعتی با کیفیت بالاتر - نشان میدهد که تولیدکنندگان به قوانین و طرح‌های جدید دولت در حوزه‌های بررسی‌های زیست محیطی و سلامت و ایمنی پاسخگو هستند.

با ریشه دواندن این طرح‌ها باید انتظارات بیشتری از صنعت گرمایش، تهویه، تهویه مطبوع و تبرید در این زمینه داشت. ■

علاوه بر مقررات سخت تر، آنچه که روشن است این است که بهره‌وری انرژی و مدیریت تقاضا موجب فشار گسترده‌ای بر صنعت به منظور نوآوری برای دستیابی به راه‌حلهای پاکتر با بهره‌وری انرژی بهتر شده است.

برندهایی مانند دایکین، گول تهویه مطبوع ژاپنی که برای سیستم‌های چیلر هواسرد به آن نشان کیفیت امارات (EQM) اعطا شده است، بر این مسئله تمرکز کرده‌اند. ریجو سانو مدیر دایکین خاور میانه و آفریقا اعلام کرد که این نشان کیفیت، موجب تقویت فراوان فعالیت‌های تجاری آن در امارات متحده عربی شده است.

او گفت این شرکت در نظر دارد همچنان به نوآوری پیشرو بودن ادامه دهد و این کار را «با معرفی محصولات با بیشترین بهره‌وری، سازگار با محیط زیست و بالاترین کیفیت به بازار» انجام خواهد داد.

اکنون روی محصولات چیلر هواسرد دایکین علامت EQM برجسب خواهد خورد که نشان میدهد این محصولات با الزامات ایمنی و بهره‌وری انرژی سازمان استاندارد و اندازه‌شناسی امارات منطبق هستند.

این روند همچنین در نمایشگاه گرمایش، تهویه، تهویه مطبوع و تبرید عربستان 2017 در جده در اوایل سال جاری نیز مشهود بود. در این نمایشگاه هزاران تن از متخصصان صنعت برای بررسی تکنولوژی‌های جدید و ارزیابی تحولات بازار گردهم آمدند.

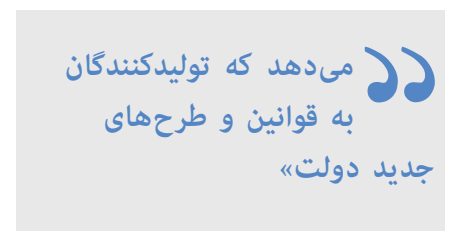
ساخت و سازه‌های فراوان در تمام کشورهای شورای همکاری خلیج فارس همچنان علت اصلی تقاضا در بازار گرمایش، تهویه، تهویه مطبوع و تبرید (HVAC) است. در حالی که قیمت نفت تا حدی از رونق اقتصادی منطقه کاسته است، فعالیت‌های ساخت و ساز به شدت ادامه دارد و موجب شده است که تقاضا برای تهویه مطبوع و خدمات مرتبط رو به افزایش باشد. به‌طور کلی این وضعیت را باید مثبت تلقی کرد، اگر چه قوانین و مقررات جدید در حال ایجاد تغییرات در چشمانداز تجارت هستند.

بر اساس گزارش بازار تهویه مطبوع کویت 2016-2022، پیش‌بینی میشود که در کویت بازار تهویه مطبوع تا سال 2022 سالانه 4.45 درصد رشد کند. بنا به این گزارش نرخ رشد به دلیل کاهش قیمت نفت کاهش یافته است، اما ممکن است این وضعیت پس از سال 2017 تغییر کند، به سرمایه‌گذاری‌های دولتی و خصوصی در زیرساخت‌ها دامن بزند و بازار محلی برای تهویه مطبوع را تقویت نماید.

وضعیت مشابهی در سراسر بخش‌های منطقه در نواحی مانند امارات و قطر نیز حاکم است که در آنجا نیز صرف هزینه‌های فراوان از تقاضا برای محصولات گرمایش، تهویه، تهویه مطبوع و تبرید حمایت میکنند.

و این امر به نوبه خود، سرمایه‌گذاری‌های جدید در مراکز تولید را موجب شده است.

اخیراً صنایع تهویه مطبوع لمینار خط تولید پیشرفته FFC-UK خود برای کانال‌های مقاوم در برابر آتش‌سوزی را در دوحه قطر افتتاح کرد.



دپاک بهادرا، مدیر کل آن گفت که این خط جدید به لمینار اجازه خواهد داد تا نیازهای رو به رشد پیمانکاران گرمایش، تهویه، تهویه مطبوع را برای سیستم‌های کانال‌های مقاوم در برابر آتش‌سوزی تأمین کند، حوزه‌ای که به دلیل «سخت تر شدن پروتکلها و مقررات ایمنی آشناسانی» به سرعت در حال گسترش است.

TECHNICAL REVIEW

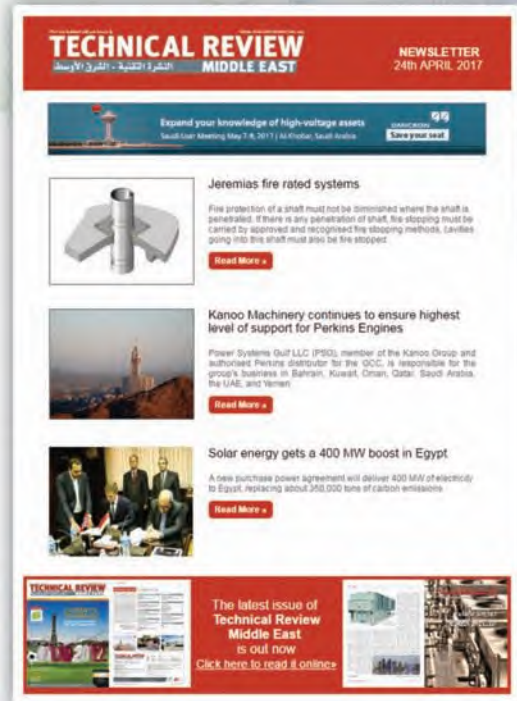
النشرة التقنية - الشرق الأوسط

MIDDLE EAST

www.technicalreview.me

The region's leading trade publication

Now in its 33rd year of publication, Technical Review Middle East has established an enviable reputation for the breadth and depth of its editorial. It is distributed throughout the MENA region, contains an exceptional range of subjects, and is read by senior managers, key buyers and specifiers.



ABC audited circulation guarantees your advertisement will be seen throughout the Middle East

Sign up for the FREE fortnightly e-newsletter on

technicalreview.me

Alain Charles
Publishing
Serving the world of business

MENA Tel: +971 4 448 9260
ASIA Tel: +91 80 6533 3362
USA Tel: +1 203 226 2882
EUROPE Tel: +44 20 7834 7676

E-mail: comms@technicalreview.me
Web: www.alaincharles.com
www.technicalreview.me

متحول کردن

میدان نفتی دیجیتال

محمد ریاض، مدیر شرکت خدمات شرکتی آیبیام، خلیج، لوانت و پاکستان می‌گوید: شرکتها باید رویکردی یکپارچه برای دیجیتالی شدن اتخاذ کنند.

نیازمند تعویض باشد، تا محل و در دسترس بودن قطعات جایگزین و در دسترس بودن مهندس با مجموعه مهارت‌های مناسب برای تعویض پمپ.

مشکل اساسی این است که بسیاری از شرکتها در پی راه‌حلهایی هستند که برخی الزامات تحلیل را برآورده مینمایند، حال آنکه پس از جمع‌آوری داده‌ها از سیستمهای مختلف به ابزارهای یکپارچه‌سازی برای نمایش داده‌ها در یک نمای واحد نیاز است. اشکال این مسئله پیچیدگی و هزینه آن است، همچنین افزودن یک لایه برنامه دیگر به بهای از دست رفتن سرعت عملکرد زیرساختها و بهره‌وری می‌انجامد.

اکثر شرکتها هنوز در تلاش هستند
رویکردی روشن در مورد چگونگی
تولید ساختار دیجیتال خود تعریف.

برای اینکه شرکتها بتوانند ارزش واقعی بلندمدتی از داده‌ها کسب نمایند، لازم است رویکردی یکپارچه همراه با این دیدگاه در پیش بگیرند که چگونه تمام اجزا - فرآیندها، افراد و تکنولوژی - گرد هم می‌آیند. این روش کارآمدترین راه برای کسب اطمینان از این مسئله است که دیجیتالی شدن هر جزء یا فرایند با نیازهای تکنولوژی اطلاعات و تجاری هماهنگ است. تحول دیجیتالی هنگامی شکل می‌گیرد که شرکت گامهای کوچکی در راه دیجیتالی شدن بردارد، یعنی گاهی یک جزء و یک سنسور با ابزارهای تحلیل شناختی همراه میشود و امکان مشاهده بازده فوری آن بر عملکرد عملیاتی و سرمایه‌گذاریهای دارایی فراهم میگردد.

اکنون که در عصر میدانهای نفتی دیجیتال هستیم، شرکتهای انرژی هر از گاهی گامهای کوچک و در عین حال بسیار مهمی برای توانمندسازی تجهیزات جهت کمک به عملکرد کلی شرکت برمی‌دارند، نظیر استفاده از یک سنسور. روندی که شاهد آن هستیم عبارت است از تکاملی که در آن ادغام عمودی با تحلیل شناختی ترکیب میشود تا بتوان به بلوغ بالاتری از تواناییهای دیجیتال دست یافت و سطح جدیدی از قابلیت مشاهده و حتی پیشبینی حوادث آینده را فراهم آورد. ■

درک اینکه چرا تحلیل داده‌ها برای به تحرک واداشتن رشد درآمد و بهره‌وری امری حیاتی است کار دشواری نیست، این رویکردی است که در صنایع مختلف برای دستیابی به بینشهایی در پیش گرفته شده است که تصمیمات را شکل میدهند. بخش انرژی مثالی عالی از صنعتی است که باید به جمع‌آوری و تحلیل حجم زیادی از داده‌ها، از داده‌های عملیاتی گرفته تا داده‌های مربوط به تعمیر و نگهداری، بپردازد. با این حال، اکثر شرکتها هنوز در تلاش هستند رویکردی روشن در مورد چگونگی تولید ساختار دیجیتال خود تعریف و از تمام این داده‌ها ارزش استخراج کنند و میزان موفقیتشان در این راه کمابیش متفاوت است.

با افزایش حجم داده‌ها و چندین برابر شدن جریان آنها، این چالش پیچیده‌تر نیز میشود. از آنجا که تعداد بیشماری از اجزا، دستگاهها و ابزارها مجهز به سنسورهای شده‌اند که به لطف تکنولوژی IoT (اینترنت اشیا) داده‌ها را به‌صورت آنی ارسال میکنند، فشار زیادی بر مدیران ارشد اطلاعات و مدیران ارشد تکنولوژی جهت طراحی و استقرار زیرساختهای تکنولوژی اطلاعات و ارتباطات وارد میشود تا بتوانند از تمام این داده‌ها برای ارائه ارزش عملیاتی و تجاری بهتر استفاده کنند.

تحلیل و راه‌حلهای مدیریت داده‌های ارائه شده توسط آیبیام در مثالی از ساده‌ترین کاربرد آن در مورد یک پروژه مهندسی عادی، این قابلیت را دارند که هزینه‌های مربوط به رسیدگی به اسناد را به نصف برسانند. در بخش نفت و گاز، شرکتها درصد قابل توجهی از کل هزینه یک پروژه را صرف گزارشدهی میکنند. وقتی یک پروژه سرمایه‌گذاری یک میلیارد دلاری عادی را در نظر بگیریم، هزینه‌های مدیریت اسناد و داده‌ها میتواند به دهها میلیون دلار برسد. یک شرکت میتواند از طریق این راه حل هزینه‌ها را نصف کند. این امر اهمیت رویکرد صحیح را نشان می‌دهد.

در سطحی پیشرفته‌تر، داده‌ها، یک شرکت انرژی را که تحول دیجیتال را پذیرفته است قادر می‌سازند دست به تحلیل و کسب اطلاع از تمام داراییهای خود بزنند که میتواند به طول عمر بیشتر اجزای مهم و تجهیزات گرانقیمت آن منجر شود. این امر به نوبه خود باعث افزایش بازدهی سرمایه گذاری، ایجاد سرمایگی عملیاتی و تأثیر مالی مثبت میگردد. وقتی این تحول در سراسر بخشهای عمودی در پیش گرفته شود، نرخ بازگشت سرمایه بیش از پیش تقویت میگردد.

باید برای مثال به یک دستگاه نگاهی بیندازیم - یک پمپ میدان، که در آن پمپ اطلاعاتی داده‌های تولیدی را که برای نگهداری مداوم آن بسیار مهم است، ارائه می‌دهد. خرابی پمپ میتواند بر کل سیستمی که پمپ به آن متصل است تأثیر بگذارد. در چنین گردش کار مهمی، باید نمایی یکپارچه از کل سیستم داشته باشید؛ از پمپی که ممکن است به‌زودی

Oil Review

Oil · Gas · Petrochemicals

Middle East

One success leads to another

Oil Review Middle East, the region's leading oil and gas publication, has been putting sellers in touch with buyers for almost two decades. The magazine makes sure that it strikes a balance between respected editorial and your advertising message, to maximise the return on investment for your business.

Oilreview.me

Website-Monthly Statistics
1,022,151 Page Impressions
52,662 Unique Visitors

E-newsletters

Circulation: 20,500+
The Oil Review Middle East fortnightly e-newsletters can deliver your marketing message directly to decision makers.



The magazine's circulation claims are independently verified by an ABC audit



Alain Charles
Publishing
Serving the world of business

MENA Tel: +971 4 448 9260
ASIA Tel: +91 80 6533 3362
USA Tel: +1 203 226 2882
EUROPE Tel: +44 20 7834 7676

E-mail: post@alaincharles.com
Web: www.alaincharles.com
www.oilreview.me

عنوان: معرفی پوششهای محافظ نوآورانه در ایران



عنوان تصویر: محصولات آکرونوبل می‌توانند حتی در خورندهترین محیطها نیز از وسایل محافظت نمایند.
(عکس: Pitchstocker/Shutterstock)

آکرونوبل، شرکت پیشرو جهانی در زمینه رنگ و پوشش با شرکت در نمایشگاه نفت ایران 2017 بر تعهد خود به سرمایه‌گذاری در این کشور و گسترش حضور خود تأکید کرده است.

آکرونوبل مجموعه‌ای از محصولات پوشش محافظ نوآورانه خود را در این نمایشگاه که از 6 تا 9 ماه مه در تهران برگزار میشود، به نمایش خواهد گذاشت. این موارد عبارتند از برند محصولات نوآورانه International از دامنه محصولات® Enviroline و® Chartek، Interchar، Ceilcote که در صنایع از جمله نفت و گاز، معدن و برق - که همگی بخشهایی با میزان رشد بالا در ایران هستند - مورد استفاده قرار می‌گیرند.

آکرونوبل در حال عرضه محصولات برای پروژههای مختلف تجاری در ایران است. آندریا مکونسلو، مدیر پوششهای عملکردی شرکت آکرونوبل خاورمیانه گفت: "ما شاهد فرصت خوبی برای گسترش حضور خود در ایران، به‌خصوص با سرمایه‌گذاری در این کشور جهت توسعه زیرساختها هستیم. اکنون چندین پروژه در سراسر کشور در حال شکلگیری است و محصولات ما برای این پروژهها، به‌خصوص در زمینه حفاظت در برابر آتشنسوزی بسیار مناسب هستند.

"همچنین شاهد فرصت خوبی برای حمایت از سازمان آتشنشانی ایران هستیم که در حال انجام اقداماتی نیرومند به منظور بهبود کیفیت حفاظت در برابر آتشنسوزی است. بیش از 45 سال است که محصولات Chartek و Interchar ما حفاظت در برابر خوردگی و آتشنسوزی را توأم با زیبایی برای سازههای فلزی در بخشهای مختلف از جمله زیرساخت، برق، نفت و گاز، مواد شیمیایی، معدنی و پل ارائه کرده است. ما در سراسر جهان به همکاری با مشتریان خود از مرحله طراحی تا کاربرد و ساخت و ساز می‌پردازیم تا نسبت به انطباق با مشخصات و استانداردها اطمینان حاصل کنیم."

وی افزود: "همچنین ورود شرکتهای چندملیتی در ایران موجب افزایش تقاضا برای محصولات باکیفیت ما شده که تأثیر مثبتی بر فعالیتهای تجاری ما خواهد داشت. ما به سرمایه‌گذاری در این کشور و نزدیکتر شدن به مشتریان خود جهت ارائه محصولات پوششهای محافظ که نیازهایشان را برآورده سازد، متعهد هستیم."

راه حل منفعل حفاظت در برابر آتشنسوزی 7 Chartek شرکت آکرونوبل برای استفاده جهت تمام قسمتهای یک دارایی از این بابت دارای تمایز است که شناخته شدهترین محصول حفاظت منفعل در برابر آتشنسوزی (PFP) اپوکسی به مدت بیش از 50 سال بوده و انتخابی ایده‌آل برای صنعت نفت و گاز دریایی ایران محسوب میشود.

آکرونوبل همچنین آخرین نوآوری خود - Chartek 2218 - که یک محصول حفاظت منفعل در برابر آتشنسوزی اپوکسی کاملاً جدید جهت پروژههای نفت و گاز در خشکی و مواد شیمیایی است را عرضه میکند. این ماده به دلیل روش استفاده ساده و ویژگیهای پخت سریع منحصر به فرد خود به صرفهجویی قابل توجهی کمک میکند. حتی در دماهای پایین نیز میتوان به استفاده سریعتر و افزایش میزان تولید دست یافت که در مقایسه با سایر گزینههای حفاظت منفعل در برابر آتش اپوکسی به کاهش هزینههای کلی کمک میکند. مکونسلو افزود: "در حال حاضر که صرفهجویی در هزینهها در صنعت نفت و گاز بسیار اهمیت دارد، Chartek 2218 جهت بسیاری از حوزههایی که مشتریان ما به دنبال صرفهجویی برای آنها هستند مناسب است."

عنوان: رشد بازار اینترنت اشیا خاورمیانه و آفریقا ادامه دارد

پیشبینی میشود بازار اینترنت اشیا (IoT) در خاورمیانه و آفریقا (MEA) در سال 2017 به میزان 19.6 درصد رشد سال به سال رسیده و به 7.8 میلیارد دلار آمریکا بالغ شود، و طبق گزارش اخیر در این میان بخشهای تولیدی و حمل و نقل پیشرو خواهند بود و هزینههای مرتبط آنها هر کدام 1.3 میلیارد دلار است.

راههای هزینه ششماهه اینترنت اشیا در سراسر جهان که شرکت دادههای بینالمللی (IDC) آن را منتشر نموده نشان میدهد که این میزان در مقایسه به رشد 18.1 درصدی مشاهده شده در سال 2016 میزان مطلوبی است و شرکت دادههای بینالمللی عملکرد این بازار را به گسترش طرحهای تحول دیجیتال در سراسر منطقه نسبت میدهد چرا که شرکتهای تجاری و نهادهای دولتی میکوشند کارایی خود را افزایش داده و بهره‌ریشان را بهبود بخشند.

ویل بابالولا، تحلیلگر پژوهش ارتباطات راه دور، اینترنت اشیا و رسانه‌های دیجیتال در شرکت دادههای بینالمللی خاورمیانه و آفریقا گفت: "بازار اینترنت اشیا خاورمیانه و آفریقا دارد به شکلی فزاینده رقابتی میشود و همین مسئله سازمانها را قادر می‌سازد طیفی از راه‌حلهای نوآورانه دیجیتال را با هدف تحول فعالیتهای تجاری،

بهبود تجربه مشتری و افزایش تعهد کارکنان در اختیار داشته باشند. شرکت دادههای بینالمللی انتظار دارد صنایع تولیدی، حمل و نقل و خدمات شهری شاهد بالاترین سطح هزینههای مربوط به اینترنت اشیا در سال 2017 باشند چرا که سازمانهای این بخشها تلاش دارند عملیات خود را دیجیتال کرده و ارائه ارزش خود را در بین شرکتهای تجاری مختلف بهبود بخشند. تعهد ارائه‌دهندگان خدمات، توسعه‌دهندگان نرم‌افزار و تولیدکنندگان تجهیزات به توسعه راه‌حلهای هدفمند و یکپارچه اینترنت اشیا عامل اصلی رشدی است که در سراسر منطقه شاهد آن هستیم."



نشان تصویر: انتظار می‌رود صنایع تولیدی، حمل و نقل و خدمات شهری شاهد بالاترین سطح هزینههای مربوط به اینترنت اشیا در سال 2017 باشند.

(عکس: Panchenko Vladimir/Shutterstock)

عنوان: روندهای اشتغال در بخش انرژی

اولین شاخص استعداد انرژی جهانی (GETI) که به نظرسنجی از بیش از 16,000 متخصص بخش انرژی در سطح جهان در بخشهای نفت و گاز، انرژیهای تجدیدپذیر، برق، هسته‌ای و پتروشیمی پرداخته تفاوت قابل توجهی را در میزان انتظارات بین مدیران استخدام و کارجویان نشان میدهد.

گزارش تهیه شده توسط اِیرسوئیفت و انرژی جابلاین نشان میدهد که کارجویان بخش انرژی خوشبینتر از مدیران استخدام هستند، چرا که 48 درصد از متخصصان خاورمیانه افزایش حقوق در طی 18 ماه آینده را پیشبینی کرده‌اند - حال آنکه تنها 25 درصد از استخدامکنندگان چنین پیشبینی دارند.

ژانته مارکس، مدیر ارشد عملیات اِیرسوئیفت میگوید:

"اگر قرار باشد صنعت انرژی بتواند به جذب حفظ

استعدادهای مورد نیاز خود برای آیندهای موفق ادامه دهد، بسیار ضروری است که مدیران استخدام و کارکنان درک مشابهی داشته باشند. اما در حال حاضر نوعی عدم تطابق وجود دارد - که فقط به چشم‌انداز افزایش پرداخت محدود نمیشود. به‌عنوان مثال یک چهارم مدیران استخدام در این بخش معتقدند که نام تجاری شرکت مهمترین عامل جذب افراد جویای کار است، حال آنکه نیروی کار در واقع بیش از همه به حقوق و دستمزد، محل کار و ارتقای شغلی اهمیت میدهد."

یافتههای کلیدی در صنعت نفت و گاز عبارتند از:

- سه چهارم مدیران استخدام معتقدند بخش نفت و گاز با کمبود استعداد مواجه است، و پاسخ‌دهندگان خاورمیانه دلایل کلیدی برای کمبود مهارت را از دست دادن نیروی انسانی به دلیل پیر شدن نیروی کار و سیاستهای مهاجرتی سختگیرانهتر میدانند
- فارغ‌التحصیلان به دلیل برداشتهایی در مورد پیری نیروی کار و نگرانیهای زیست محیطی در مورد صنعت نفت و گاز در مقایسه با بخشهای جدیدتر سبز تکنولوژی‌محور از این صنعت فاصله می‌گیرند
- تقریباً نیمی از متخصصان نفت و گاز انتظار دارند وضعیت این بخش طی 12 ماه آینده بهبود یابد، اما نزدیک به دو سوم مدیران استخدام انتظار دارند این مسئله بیش از یک سال طول بکشد
- افراد متخصص نفت و گاز آمریکای شمالی، خاورمیانه و اروپا را به عنوان مناطق مورد ترجیح برای کار خود میدانند
- باارزست‌ترین مسئله برای متخصصان خاورمیانه طرح بهداشت و درمان است.

هانا پیت، مدیر عامل انرژی جابلاین میگوید: "بخش نفت و گاز یکی از طولانیترین و ویرانگرترین رکودهای خود را تا به امروز از سر گذرانده است. اما این صنعت فوق‌العاده تابآور است و به اشتراک گذاشتن ایده‌های تازه به آن کمک میکند تا دوباره روی پای خود بایستد.

"هنگامی که گرد و غبار خوابید، مدیران استخدام باید در مورد چگونگی جذب استعدادهای جدید هوشمندانه عمل کنند. روزهای جنگ با پیشنهادهای قیمت بالا و پیشنهاد حقوق روافزون به کارجویان به سر آمده است."

این گزارش برای دانلود در

<http://www.getireport.com/download-report>

در دسترس است.



← یادداشت سردبیر

غایشگاه آبی نفت و گاز، پالایش و پتروشیمی ایران قرار است از 6 تا 9 ماه مه در تهران برگزار شود و فرصت خوبی را برای شرکتهای ایرانی و بینالمللی به منظور کشف راههایی جهت همکاری متقابل، و همچنین اطلاع از آخرین تحولات این صنعت و اولویتهای دولت در صنعت نویدبخش نفت و گاز ایران فراهم خواهد کرد. ایران همچنان در حال افزایش تولید خود با توجه به سقف 3.8 میلیون بشکه در روز بر اساس توافق اوپک در ماه نوامبر است و گزارش شده است که وزیر نفت بیژن نامدار زنگنه اعلام نموده است که سال جدید شمسی در ایران سالی "استثنایی" برای صنایع نفت و پتروشیمی ایران خواهد بود چرا که قرار است چندین پروژه بزرگ، از جمله فازهای جدیدی از میدان گازی بسیار بزرگ پارس جنوبی و چندین پروژه پتروشیمی به بهرهبرداری برسند.

لوئیس واترز، سردبیر، - louise.waters@alaincharles.com

TECHNICAL REVIEW

MIDDLE EAST

Oil Review

Oil Gas Petrochemicals

Middle East

Alain Charles Publishing

Serving the world of business

سردبیر: لوئیس واترز - louise.waters@alaincharles.com

هیئت تحریریه و تیم طراحی: پارشانت ای پی، هیریوتی بایرو، مریام بزدکوا، کستل داکسری، رانگانات جی اس، رونیتا پانتایکا، سامانتا پاین، راتول پوتنودو، نیکی والاسماکس و وانی ونوکوپال

ویراستار گروه: جورجیا لویس

ناشر: نیک فوردهام

مدیر نشر: پالوی پاندی

مدیر مجله گروه: گراهام براون

+971 4 448 9260

graham.brown@alaincharles.com

مدیر فروش مجله: تانی میشر

+91 80 65684483

tanmay.mishra@alaincharles.com

همایندگان بینالمللی

هند: تانی میشر

+91 80 65684483

tanmay.mishra@alaincharles.com

نیجریه

بوآلا اولو

+234 8034349299

boia.olowo@alaincharles.com

ایالات متحده آمریکا

مایکل توماشفسکی

+1 203 226 2882

michael.tomashefsky@alaincharles.com

دفتر مرکزی:

شرکت انتشارات آلن چارلز

University House, 13-11 Lower Grosvenor Place, London

SW1W 0EX, United Kingdom

+44 (0)20 7834 7676

دفتر منطقه‌ای خاور میانه

آلن چارلز خاورمیانه

Office L2-112 Loft office 2, PO Box 502207, Dubai Media City, UAE

+971 4 448 9260

تولید: کایوا جی، نلی مندز و سوفیا پینتو

production@alaincharles.com

انرژی: circulation@alaincharles.com

رئیس: درک فوردهام

چاپ توسط: شرکت بازرگانی KHCAI، مشهد، ایران

چاپ شده در: آوریل 2017

© انتشارات آلن چارلز

ایران و عراق بیشتر از رشد تولید نفت در خاورمیانه

بر اساس تحلیل اخیر ریستاد انرژی، ایران و عراق در طی سالهای 2016 تا 2020 بیشترین سهم را در رشد تولید نفت خاورمیانه خواهند داشت.

طبق اعلام این شرکت مشاوره انرژی، انتظار میرود میزان تولید طی سال جاری ثابت بماند که نشاندهنده توافق اوپک برای کاهش تولید است، اما پیشبینی میشود از نیمه دوم سال 2017 بهتدریج افزایش یابد و تا سال 2020 به بیش از 30 میلیون بشکه در روز برسد. در حالی که عربستان سعودی حدود 40 درصد از تولید نفت در منطقه را برعهده دارد، ایران و عراق کشورهای هستند که انتظار میرود تولید نفت در آنها در دهه آینده به بالاترین میزان رشد برسد. رشد تولید عراق به دلیل راهاندازی فاز دوم توسعه میدان غرب قرنه-۲ توسط لوک اویل، همچنین افزایش حجم برداشت از میدان نهر بن عمر، فاز دوم مجنون و فاز سوم توسعه حلقه خواهد بود. انتظار میرود فاز اول پروژه آزادگان جنوبی در طی پنج سال آینده به رشد تولید نفت ایران کمک کند و از سال 2021 به بعد به سطح 255,000 بشکه در روز برسد.

ریستاد اشاره میکند که به طور کلی، ایران در زمینه موفقیت در اکتشاف در طول دهه گذشته بیشتر از آن بوده است، چرا که حدود 45 درصد کل منابع کشف شده متعلق به ایران است. با این حال، در پنج سال گذشته بزرگترین حجم در عراق کشف شده، و پروژههایی نظیر عماره جنوبی، مراوه و فیجه پیشرو آن بوده است.

به طور کلی، نزدیک به 65 درصد کل منابع نفت کشف شده از سال 2000 در خاورمیانه هنوز توسعه پیدا نکرده است. ریستاد اعلام کرده است که با توجه به اینکه نقطه سر به سر اکثر این اکتشافات کمتر از 40 دلار آمریکا/بشکه است، اگر قیمتهای پایین نفت برای مدت طولانیتری ادامه داشته باشد، به احتمال زیاد این میدانها وارد مدار میشوند.

این شرکت مشاوره انرژی پیشبینی کرد که مجموع هزینههای نفتی در منطقه در طی دوره 2016-2020 به میزان شش درصد در سال رشد کرده و تا سال 2020 به حدود ۱۳۵ میلیارد دلار خواهد رسید. در سال 2016 عربستان سعودی، امارات متحده عربی و ایران سه کشور دارای بیشترین میزان سرمایهگذاری بودند و در مجموع حدود 70 درصد از کل هزینهها را تشکیل میدادند. عراق و ایران همچنین در بین کشورهای پیشرو از نظر افزایش سرمایهگذاری در سالهای آینده هستند. بخش بزرگی از رشد در این کشورها ناشی از پروژههای در حال تولید، و همچنین پروژههایی است که در حال حاضر در چرخه کشف طول عمر هستند. در ایران، این روند با افزایش سریع تولید در میادین قدیمی پس از برداشته شدن تحریمها همخوانی دارد. پروژههایی مانند مارون و آسماری اهواز در چند سال آینده شاهد رشد سرمایهگذاری هستند و پس از آنها اکتشافات مهم (بعنوان مثال فاز 2 آزادگان جنوبی و شمالی، نوروز، سوسنگرد و غیره) بیشترین هزینه را تا سال 2020 خواهند داشت. پیشبینی میشود که رشد قابل توجه سرمایهگذاری در میدانهای جدید در عراق، بهطور خاص ناشی از توسعه مجدد مجنون و فاز 3 حلقه خواهد بود.



عنوان تصویر: ریستاد پیشبینی میکند که ایران و عراق تا سال 2020 بیشترین سهم را در رشد تولید نفت خاورمیانه خواهند داشت. (عکس: dedpixto.com/Fotolia)

www.technicalreview.me
www.oilreview.me
www.alaincharles.com



A leading designer and manufacturer of bespoke packages for the onshore and offshore oil and gas industry



Modular Packages



Metering Systems



Produced Water Treatment



Hydraulic Control Systems



Wickwar • Aberdeen • Great Yarmouth • Iran • Dubai • Dammam • Singapore

Technical excellence: delivered

TECHNICAL REVIEW

In conjunction with:

Oil - Gas - Petrochemicals
Oil Review
Middle East

MIDDLE EAST

متحول ساختن صنعت نفت و گاز

• نفت، گاز و پتروشیمی • ساخت و ساز • برق • صنعت
• زیرساخت • تکنولوژی • سلامت و ایمنی

گزارشهای ویژه:

- ← روندهای اشتغال در بخش انرژی
- ← تحولات بازار گرمایش، تهویه، تهویه مطبوع و تبرید (HVACR)